

# METE

## Mobile Power

---

### Portable Power Unit

### 52Ah, 100Ah, 184Ah Neat Board

METE portable power units provide AC power for mobile equipment such as nursing carts, warehouse trolleys, office equipment, audio visual equipment and other devices. Each unit has three AC outlets plus an AC inlet for charging. **When used in a medical environment, these are intended for staff use only, and are not intended for connection to critical equipment that requires mains power.**



Maintenance & Safety.....	2
Components.....	3
Accessories.....	4-6
Tools Required.....	6
Features & Specifications.....	7-8
Cable Set-up.....	9
Operation and Charging.....	10
52Ah and 105Ah Bracket Setup.....	11
Secondary Screen Setup.....	12
Neat Frame Bracket Setup.....	12
Neat Board50 Bracket Setup.....	13-14
Neat Board Bracket Setup.....	15
184Ah Neat Board METE Unit Setup.....	16

# Maintenance & Safety

- The METE battery unit supplies full AC power, so take full care when using this product as you would with an electrical wall socket. **It is recommended to use 10mA RCDs for medical use and 30mA RCDs for general use.**



- Do not spray cleaning fluid into any vents or openings.
- Do not expose any electrical components to water, cleaning fluids or other liquids or corrosive substances.
- Keep cables neatly organised and take care that they do not trail or get caught when the cart or unit is mobile.
- Make sure equipment is firmly secured and is fixed as low to the floor as possible to prevent equipment from tipping over.
- Do monthly checks for cables and the METE unit fixing to ensure it is firmly secured.
- **If the unit is charging, but the fans are not running, turn the charging off and contact your service agent.**
- Read the **Operation & Charging** section in this manual and make sure staff are familiar with it.
- There are no user serviceable parts inside the METE unit. The only panel a user needs to open is the cable cover which has 4 screws.

## Warning

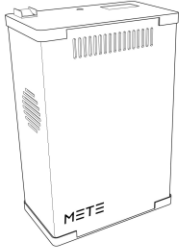
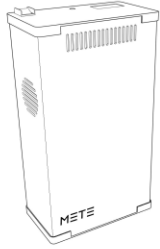
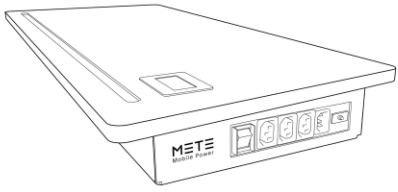






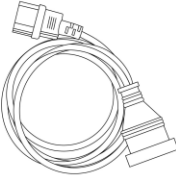
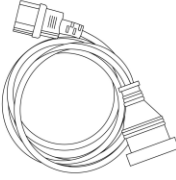
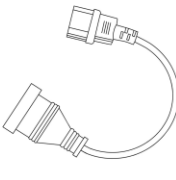


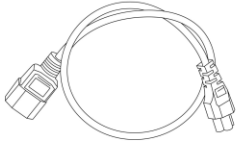
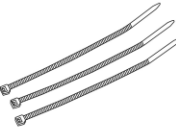






- Connecting other electrical equipment to the output socket is effectively creating a ME System (Medical Equipment System), and the result can be a reduce level of safety. For the requirements that are applicable to an ME System, the responsible organisation shall refer to the IEC 60601 standards.
- Do not connect critical ME Equipment (Medical Equipment) to a METE battery unit that requires critical uninterrupted mains power.
- Always have the unit in a position where the on/off switch is readily accessible.
- Do not modify the METE unit in any way.

## Safety Alert

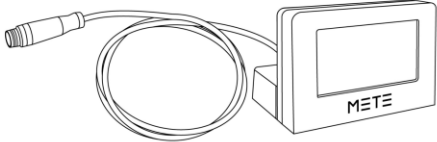
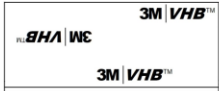
- If there is any heat, smoke or smell coming from the METE battery unit immediately unplug it from the wall and switch it off. Take it to a well-ventilated area. Contact a qualified METE service technician.
- Do not dispose of used battery units in general waste. Take the unit to an appropriate collection site.

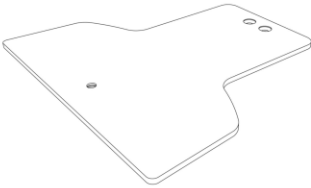

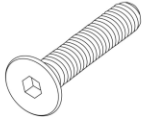


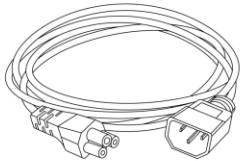


# Components

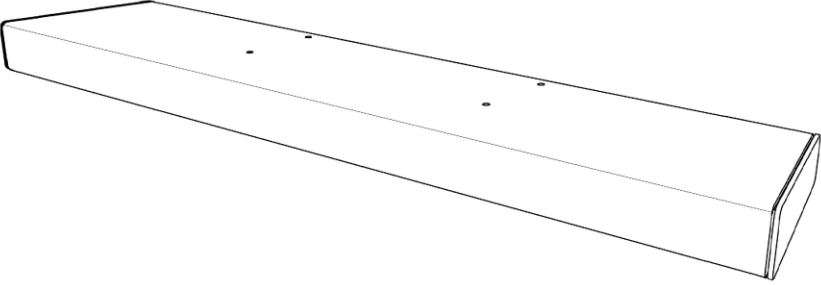


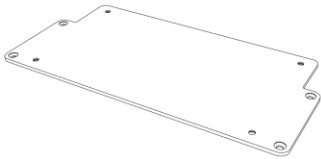
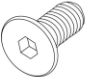
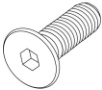
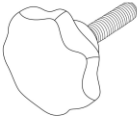

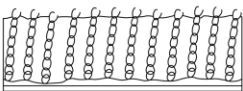
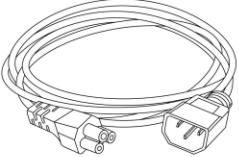
	52Ah	105Ah	184Ah Neat Board™
<b>PART #</b>	<b>MB52</b>	<b>MB105</b>	<b>MNB184</b>
<b>1.</b>			
<b>2.</b>	<b>1x</b> 	<b>1x</b> 	<b>1x</b> 
<b>3.</b>	<b>1x</b> 	<b>1x</b> 	<b>1x</b> 
<b>4.</b>	<b>2x</b> 	<b>3x</b> 	<b>1x</b> 
<b>5.</b>	<b>1x</b> 	<b>1x</b> 	<b>1x</b> 
<b>6.</b>	<b>1x</b> 	<b>1x</b> 	<b>1x</b> 
<b>7.</b>	<b>1x</b> 	<b>1x</b> 	<b>8x</b> 
<b>8.</b>			<b>1x</b> 

# Accessories

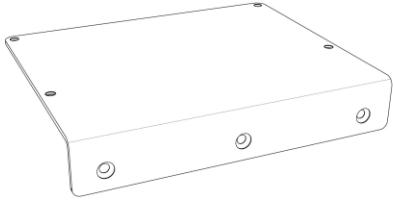
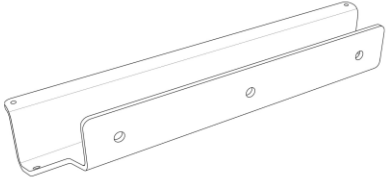

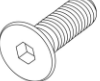


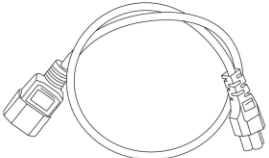
<b>1.</b>	<b>Secondary Screen - 500mm Cable</b>
<b>PART #</b>	<b>SS</b>
<b>1.</b>	<b>1x</b> 
<b>2.</b>	<b>1x</b> 

<b>2.</b>	<b>Neat Frame™ Bracket</b>
<b>PART #</b>	<b>NFB</b>
<b>1.</b>	<b>1x</b> 
<b>2.</b>	<b>1x</b> 
<b>3.</b>	<b>2x</b> 
<b>4.</b>	<b>2x</b> 
<b>5.</b>	<b>2x</b> 
<b>6.</b>	<b>1x</b> 

# Accessories

3.	<b>Neat Board50™ Bracket</b>	
PART #	NB50B	
1.	<b>1x</b>	
2.	<b>1x</b>	
3.	<b>1x</b>	
4.	<b>1x</b>	
5.	<b>4x</b>	
6.	<b>4x</b>	
7.	<b>4x</b>	
8.	<b>1x</b>	
9.	<b>1x</b>	
10.	<b>1x</b>	

# Accessories

4.	Neat Board™ Bracket	
PART #	NBB	
1.	<b>1x</b>	
2.	<b>1x</b>	
3.	<b>3x</b>	
4.	<b>4x</b>	
5.	<b>1x</b>	
6.	<b>1x</b>	
7.	<b>1x</b>	

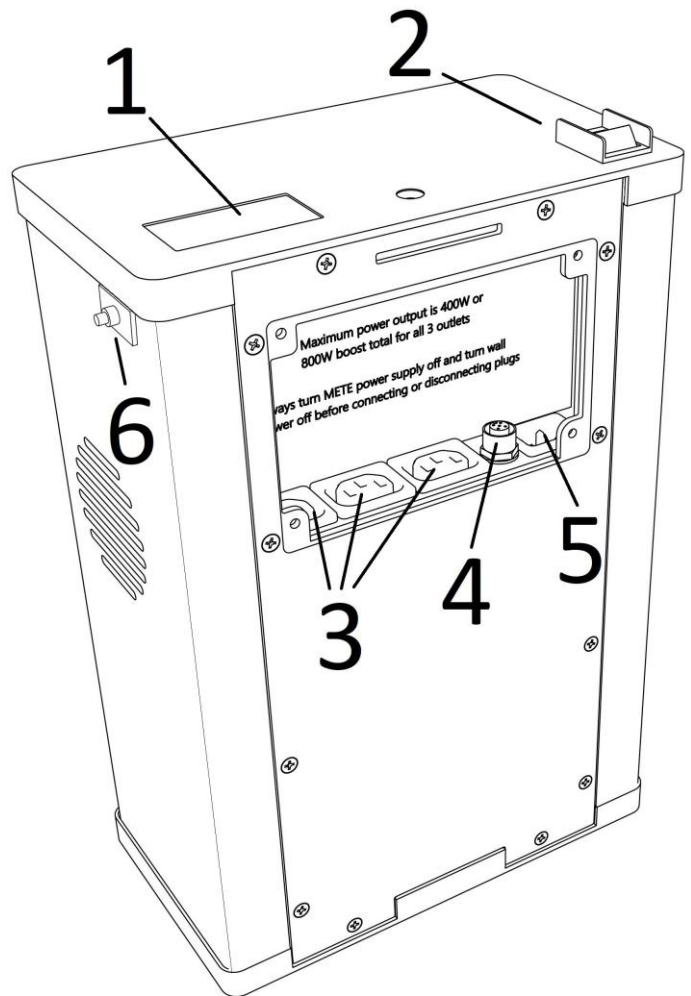
# Tools Required



# Features & Specifications

## 1. Status Screen

- Battery Voltage Remaining
- Battery Indicator
- AC Output Voltage
- Inverter Fan on Indicator
- Watt Current Usage
- Inverter Temperature
- Overload Warning



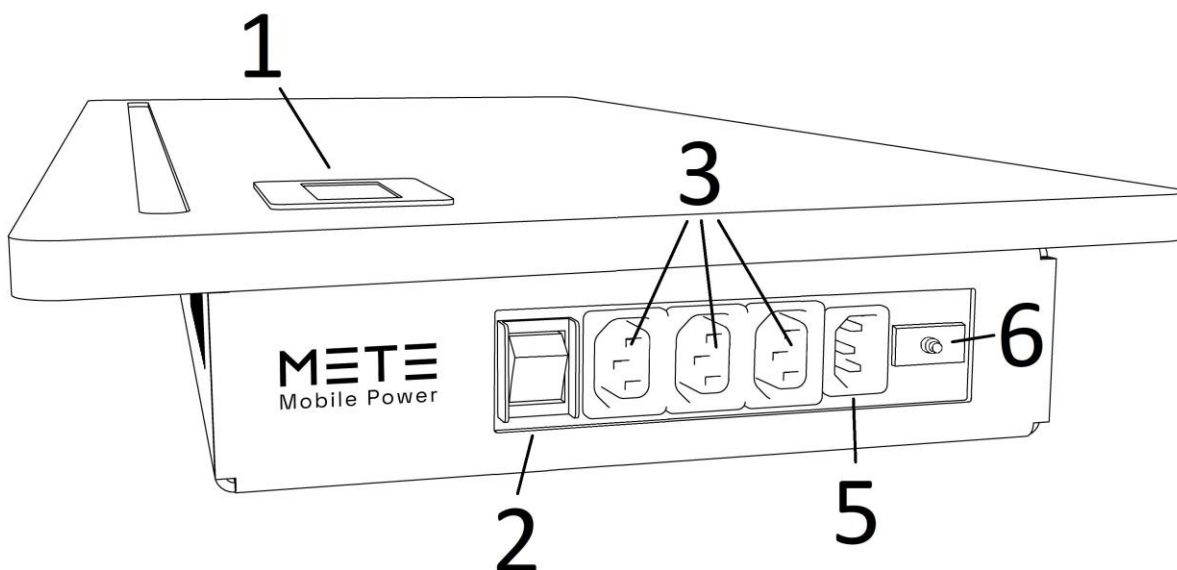
## 2. On/Off Power Switch

## 3. AC Power Outlets x 3

## 4. Secondary Screen Output (only on 105Ah model)

## 5. AC Power Charging Input

## 6. AC Input Circuit Breaker Reset

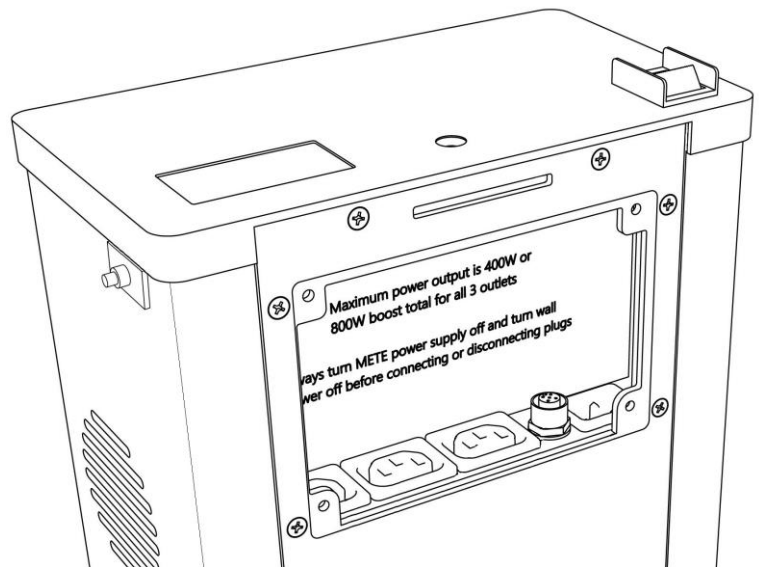


	<b>52Ah</b>	<b>105Ah</b>	<b>184Ah Neat Board</b>
<b>Battery Voltage/Type</b>	12.8V LifePO4 Lithium Ion	12.8V LifePO4 Lithium Ion	12.8V LifePO4 Lithium Ion
<b>Battery Capacity</b>	666Wh	1344Wh	2355Wh
<b>Approximate Charge Time</b>	1.5 hours	3 hours	5.5 hours
<b>Input Voltage</b>	220-240VAC	220-240VAC	220-240VAC
<b>Maximum Input Current</b>	4A	4A	4A
<b>Maximum Output Current</b>	400W 800W (2 seconds)	400W 800W (2 seconds)	400W 800W (2 seconds)
<b>Output Voltage</b>	220-240VAC (50Hz) Pure Sine Wave	220-240VAC (50Hz) Pure Sine Wave	220-240VAC (50Hz) Pure Sine Wave
<b>Operating Temperature</b>	0 - 40° C	0 - 40° C	0 - 40° C
<b>Storage Temperature</b>	-30 - 60° C	-30 - 60° C	-30 - 60° C
<b>Product Weight</b>	9.2kg (20.3 lbs) without brackets	13.9kg (30.6 lbs) without brackets	17.8kg (39.2 lbs) including shelf
<b>Product Dimensions</b>	35(h) x 23(w) x 14(d)cm (13.7" x 9.1" x 5.5")	43.5(h) x 23(w) x 14(d)cm (17.1" x 9.1" x 5.5")	7.5(h) x 85(w) x 28(d)cm (2.9" x 33.6" x 11.1")
<b>Shipping Weight</b>	11.0kg (24.3 lbs) without brackets	15.9kg (35.0 lbs) without brackets	20.8kg (45.9 lbs)
<b>Shipping Dimensions</b>	29(h) x 30(w) x 47(l) cm (11.8" x 11.5" x 18.3")	29(h) x 30(w) x 55(l) cm (11.8" x 11.5" x 21.7")	21(h) x 46(w) x 105(l) cm (8.3" x 18.1" x 41.3")
<b>Certifications</b>	AS/NZS IEC 60601, BS- EN IEC 60601-1	AS/NZS IEC 60601, BS- EN IEC 60601-1	AS/NZS IEC 60601, BS- EN IEC 60601-1
<b>Input Cord Included</b>	IEC C13 country-specific coiled 5m	IEC C13 country-specific coiled 5m	IEC C13 country-specific coiled 5m
<b>Output Cord(s) Included</b>	IEC C14 country-specific 1.5m x 2	IEC C14 country-specific 1.5m x 3	IEC C14 country-specific 1.5m x 1 plus IEC C14 to IEC C5 x 1
<b>Includes</b>	Instruction Manual, Nursing Cart Bracket, Cables Ties, Cable Wrap	Instruction Manual, Nursing Cart Bracket, Cables Ties, Cable Wrap	Instruction Manual, Cables Ties, T10 Torx Screwdriver
<b>Warranty</b>	3 years	3 years	3 years

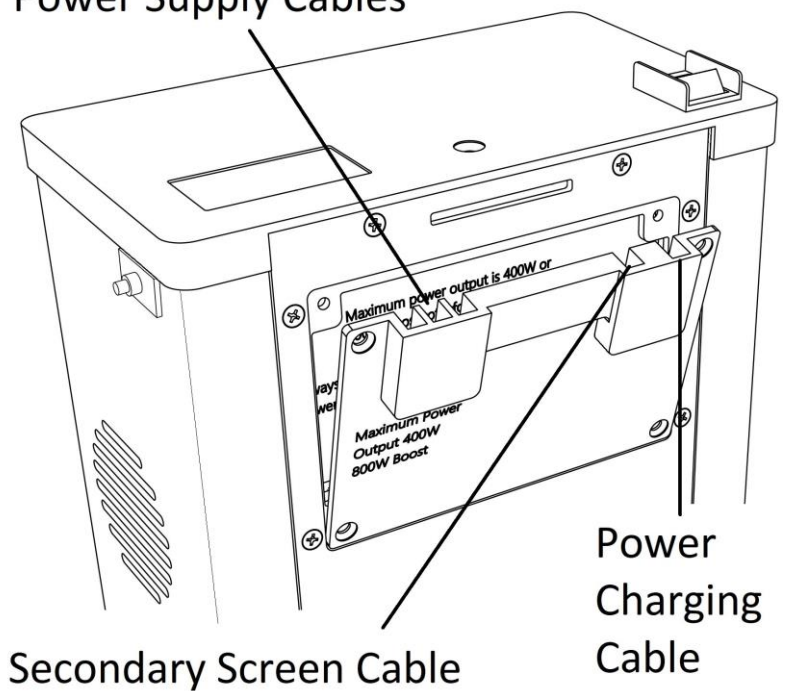


# Cable Setup

1. Remove the cable cover. Make sure the unit is not plugged into the wall and the switch is in the O position.
2. Insert the power charging cable into the far-right socket.
3. Insert the optional secondary screen cable (only on 105Ah model) into the next socket, screwing it tight. Note, it has an orientation slot at the rear.
4. Insert the number of power supply cables you require into the remaining sockets.
5. Place the unit face down onto a flat clean surface.
6. While putting the cable cover on, place the cables into the slots shown on the cable cover.
7. Screw the cable cover on, ensuring the cables are still firmly in the sockets.



## Power Supply Cables



# Operation & Charging (Please read the following carefully)

**The METE unit will charge in either position of the ON/OFF switch.**

**Two fans run while it is charging. These remind the operator it is plugged into mains power and charging.**

**Once the unit is fully charged, the charging power will turn off and will not resume charging again until the wall power is turned off and on again.**

**The charging will not resume if the battery is above 80% full.**

**If the unit is charging, but the fans are not running, turn the charging off and contact your service agent.**

Power is available from the unit while it is charging. The wall power charges the battery and provides power to the METE power outlets simultaneously.

## **IMPORTANT INFORMATION about keeping the METE unit charged**

In Storage the METE unit should not be allowed to drop below 5% charge (11V or 1 bar). If it does, the BMS (Battery Management System) may turn off, and the battery will need to be removed and externally charged to re-start it. (Contact a service agent for advice about how to do this)

The METE unit should be shipped with no more than 30% charge (12.9V or 4 bars).

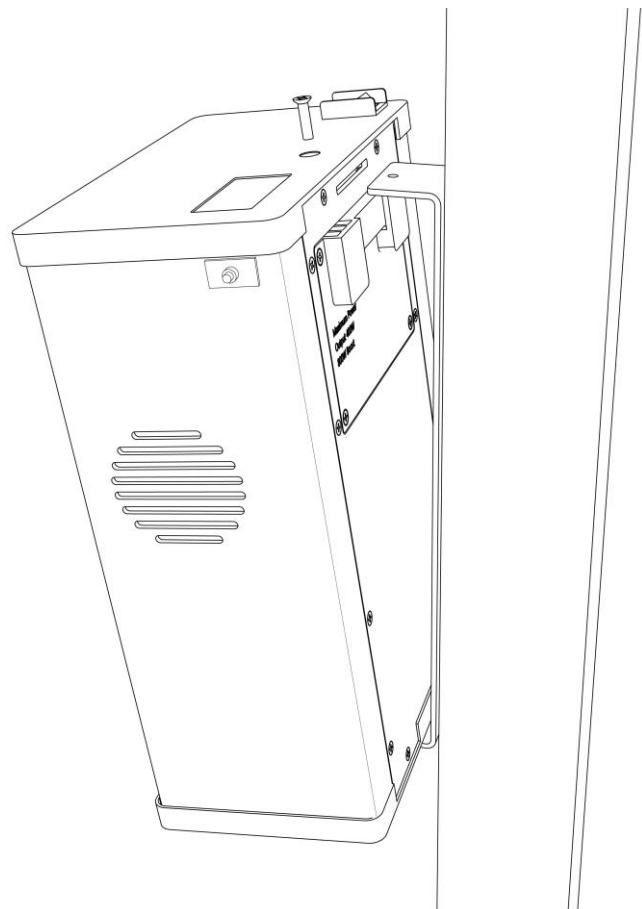
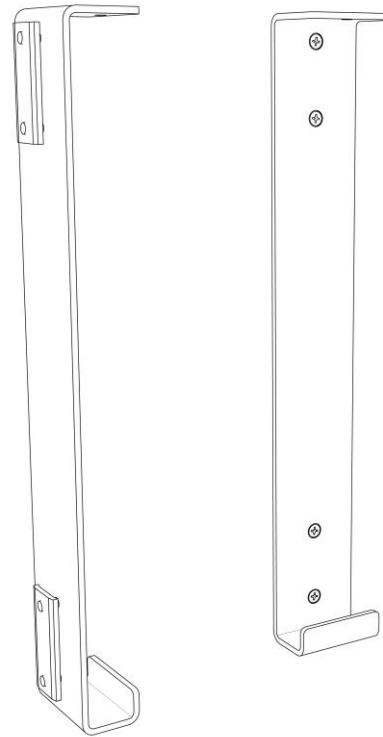
## **WARNING about equipment running from the METE unit**

When the wall power is disconnected there is a power delay of up to 15 milliseconds before the battery power takes over. This is typical of a UPS unit and necessary for safety. It should not be harmful in most cases, but if you are unsure, power down any computers or appliances plugged into the METE unit before disconnecting it from the wall. METE and distributors do not take responsibility for any damage from power or lack of supplied by METE units.

# Brackets and Accessories Setup

## 52Ah and 105Ah Bracket Setup

1. (a) Loosen the 4 screws off and slide the bracket into the slots on a nursing cart. Keep the battery as low as possible, so the weight is close to the floor to keep the centre of gravity low. Tighten the screws firmly. OR  
(b) Remove the 4 screws and discard the two small nursing cart plates. Secure the bracket using these screws or other screws. The ones supplied have an M5 thread.
2. Remove the screw from the top of the bracket.
3. Place the bottom slot of the METE unit into the upright tongue on the bottom of the bracket.
4. Push the top of the METE unit towards the bracket and into the slot at the back of the unit.
5. Replace the screw and do it up tightly.
6. Make sure the cables are secured and won't be caught or snagged and have room to move to the full height if the cart or trolley is height adjustable. Cable ties and a cable cover are supplied.



## Secondary Screen Setup

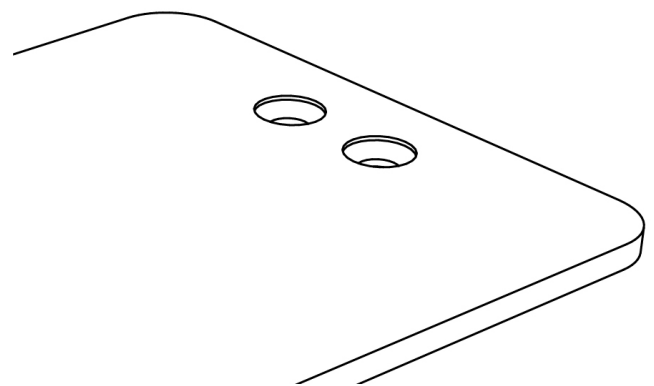
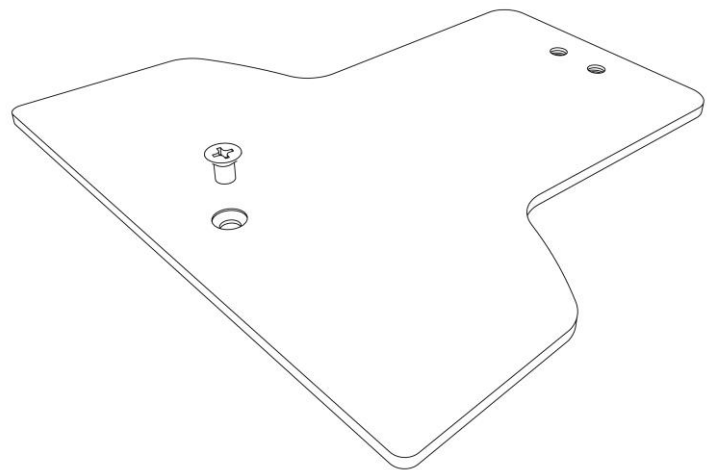
The secondary screens are supplied with a piece of self-adhesive tape to be used if it is fixed it to the shelf of a cart or any other hard surface.

1. Ensure both surfaces are clean and dust-free before applying the tape.
2. Fix the tape to the bottom of the screen base first, rubbing it in to make sure of a good connection.
3. Peel off the second layer after applying it to the base and place it in the required position. Press it down firmly.
4. Make sure the cable is secured and won't be caught or snagged and has room to move to the full height if the cart or trolley is height adjustable.

## Neat Frame Bracket Setup

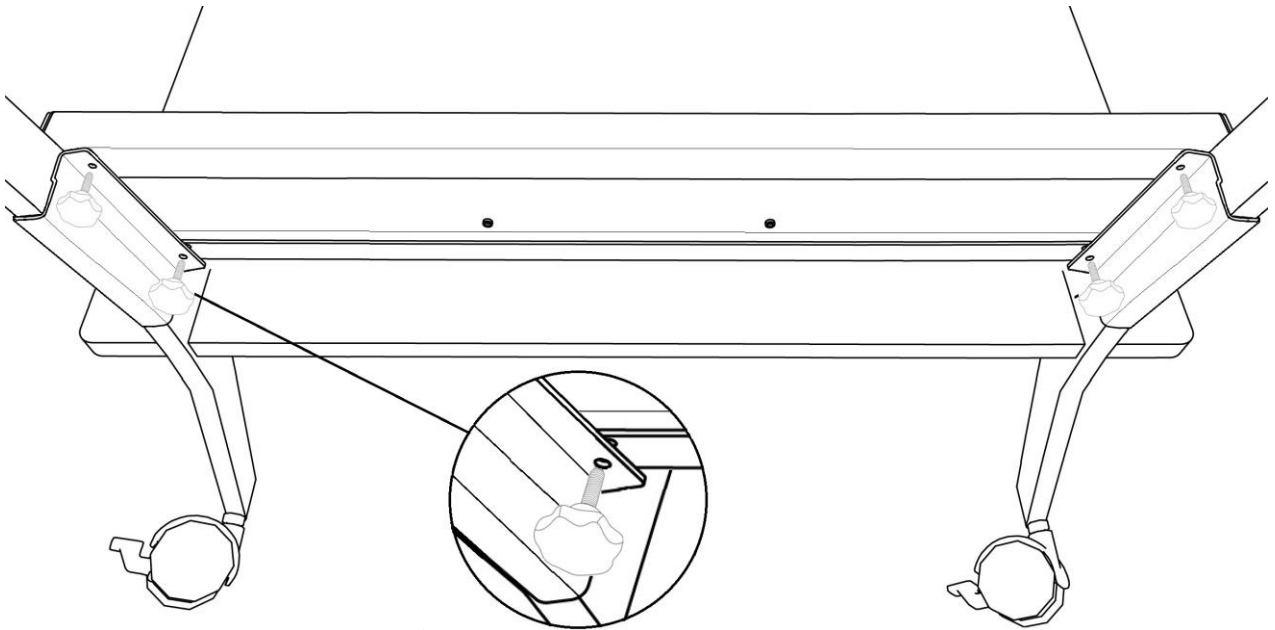
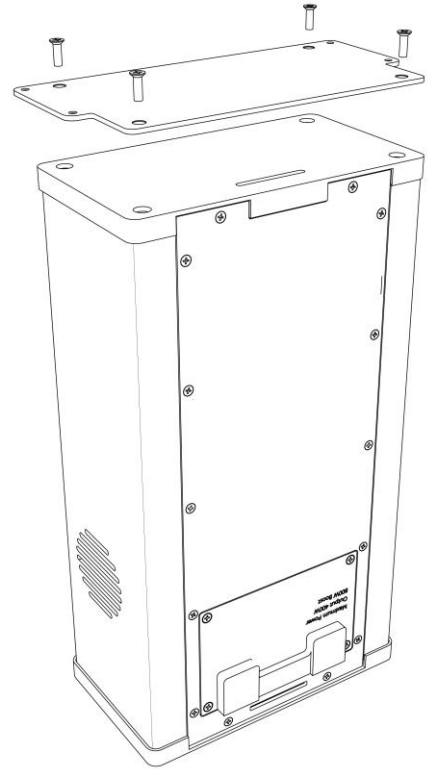
1. Use the small screw to secure the bracket to the underside of the Neat Frame unit. You may want to insert the power cable first, but it is possible to insert it afterwards.
2. Turn the unit upright and use the long screws to secure the Frame and bracket.

If using an Ergotron SV10 style cart, holes are already drilled in the right position. They may be covered by an existing bracket or plugs.



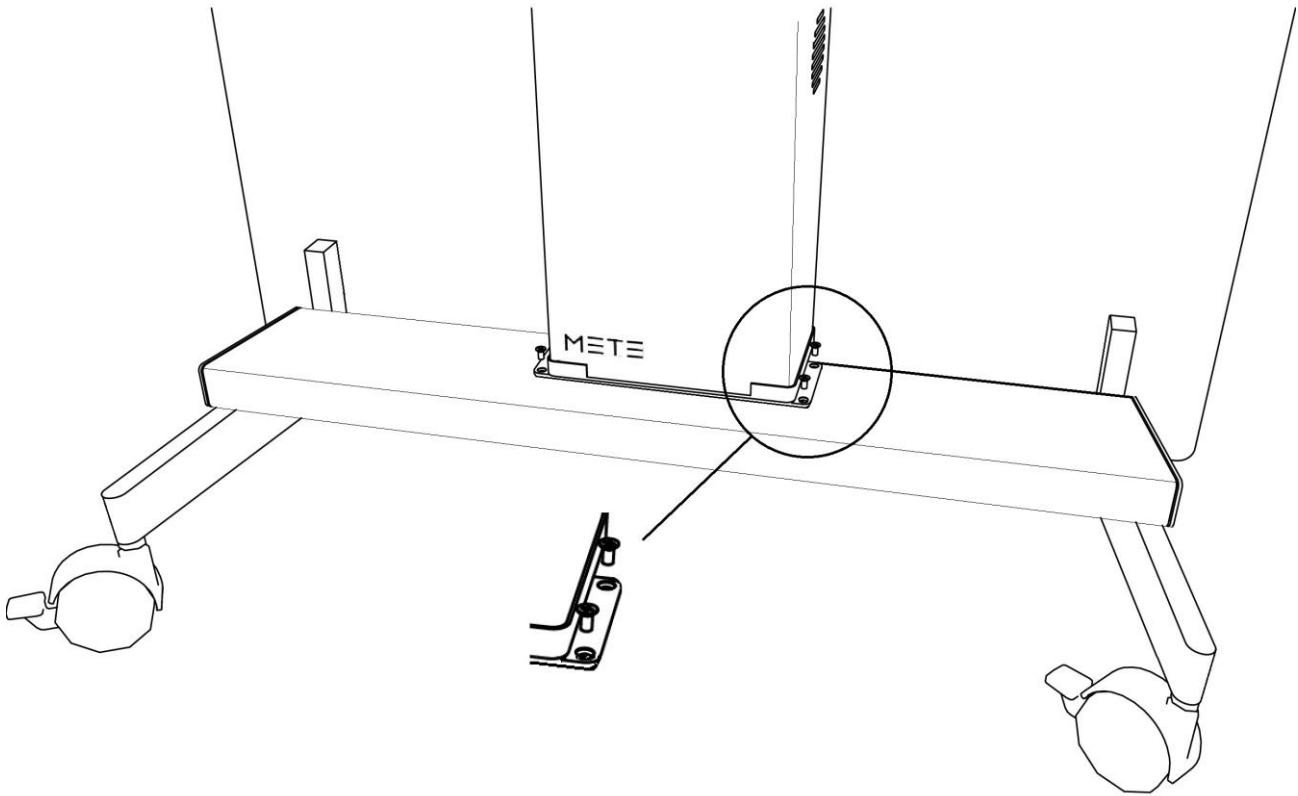
## Neat Board50 Bracket Setup

1. Turn the METE unit upside down, taking care to mount it on a book or similar so the switch does not touch the surface, and the unit does not scratch.
2. Remove the 4 existing screws from the bottom of the unit with the Torx screwdriver supplied.
3. Place the bracket supplied on the bottom and do the replacement screws up tightly. Note the direction of the bracket.

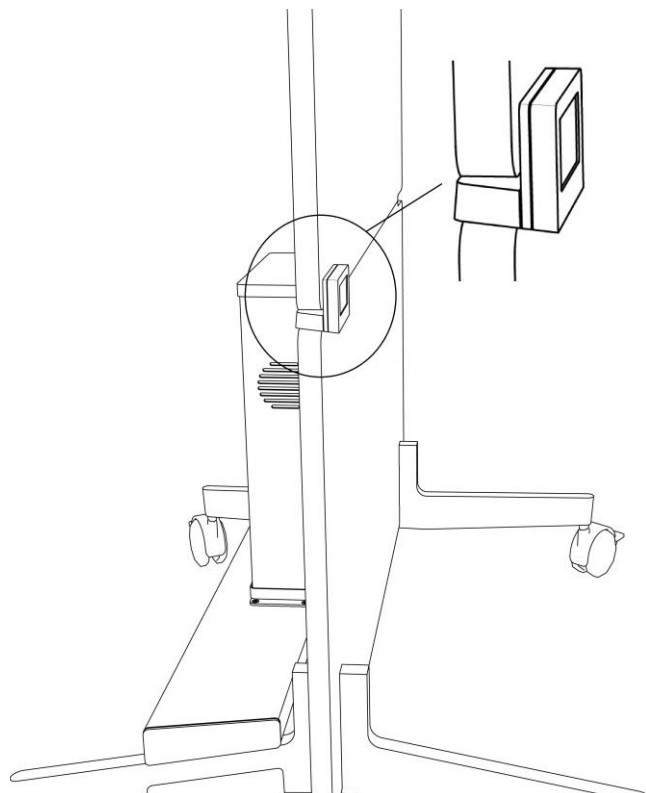


4. Place the main bracket at the back of the Neat Board50 floor unit and push it as forward as far as it can go, while still sitting flat on the top of the legs.
5. Place the left and right brackets underneath and tighten firmly using the two longer screws.

6. Place the METE unit on the bracket and using the 4 shorter screws, secure it firmly.

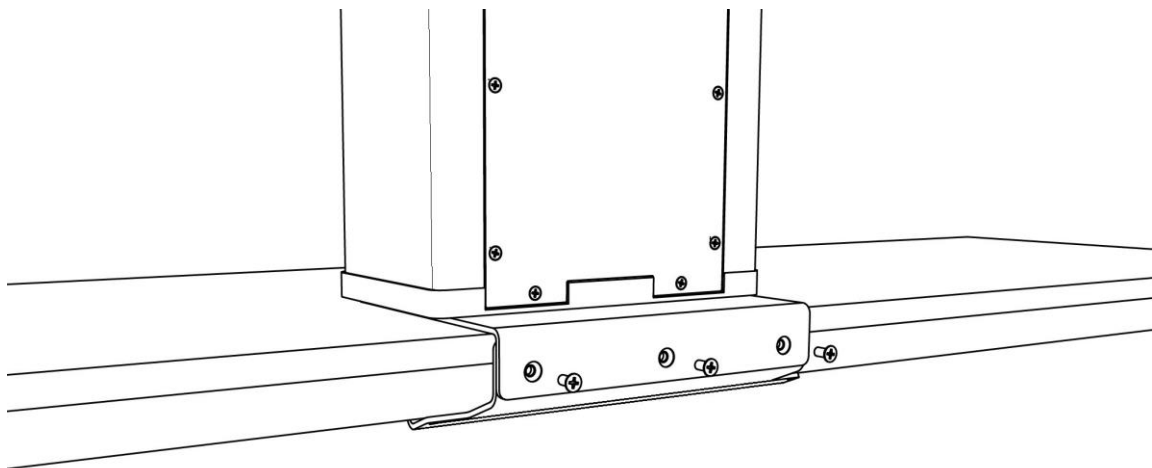
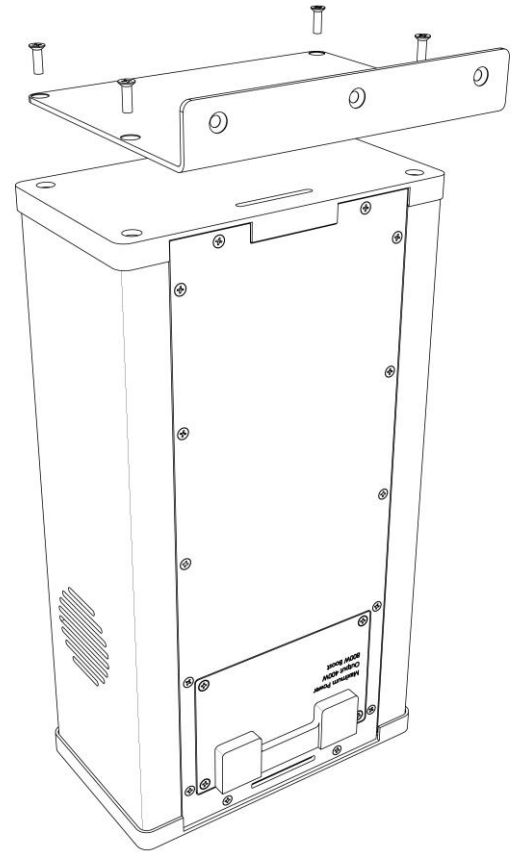


7. Mount the Velcro strip to the top of the screen base (Not the bottom).
8. Slide the screen into the space on either side of the stand. The Velcro strip will hold it in place.
9. Insert the power cable into the Neat Board50.

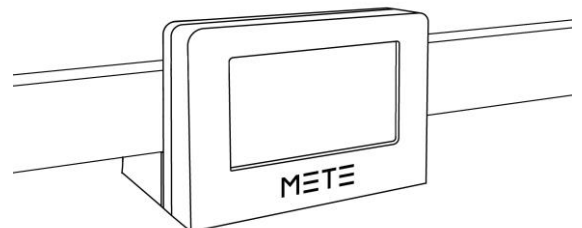


## Neat Board Bracket Setup

1. Turn the METE unit upside down, taking care to mount it on a book or similar so the switch does not touch the surface, and the unit does not scratch.
2. Remove the 4 existing screws from the bottom of the unit with the Torx screwdriver supplied.
3. Place the bracket supplied on the bottom and do the replacement screws up tightly. Note the direction of the bracket.
4. Turn the METE unit over and place it on the Neat Board shelf. Place the other bracket under the shelf and squeeze them tight together while doing up the three screws.

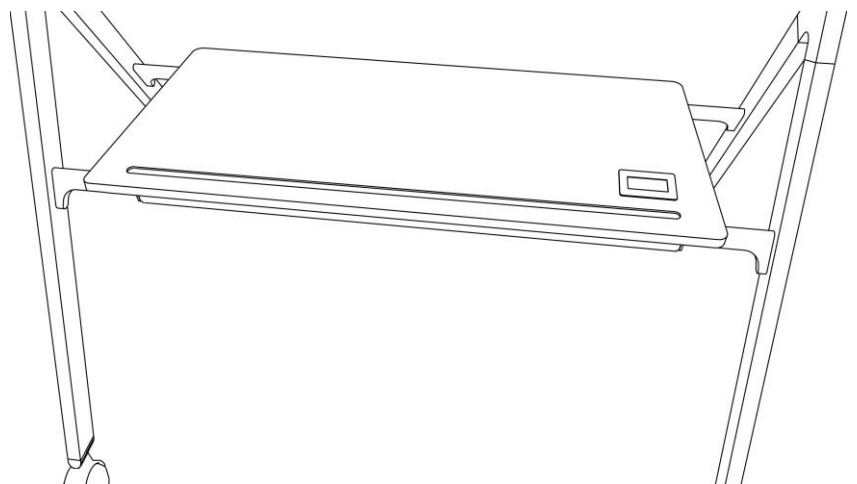
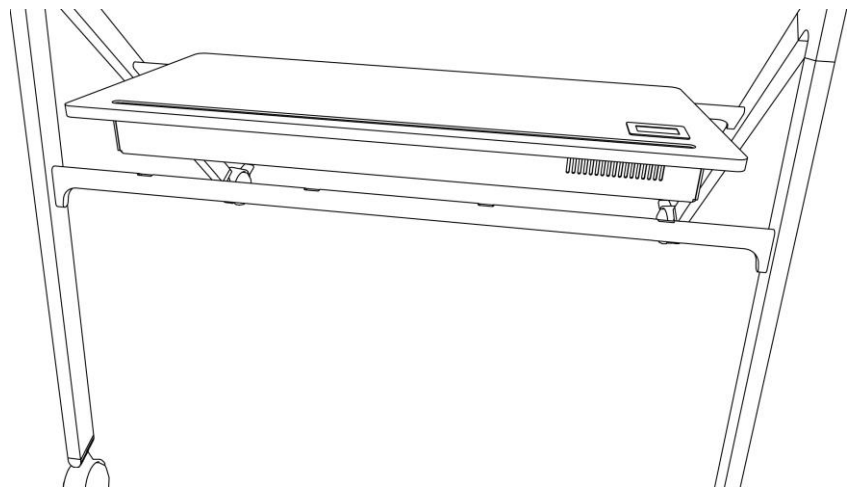
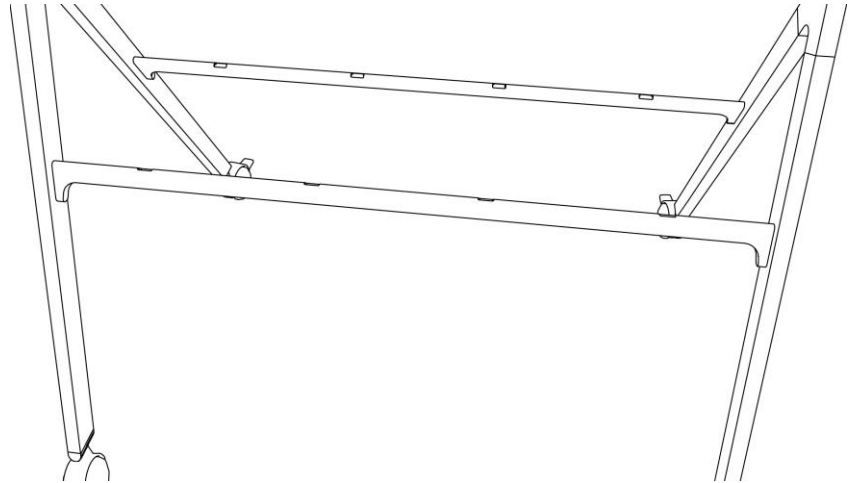


5. Place the secondary screen under the Neat Board bezel, facing the front. Using the small M3 x 16 screw, secure it in place.
6. Insert the power cable into the Neat Board.



## 184Ah Neat Board METE Battery Unit Setup

1. Remove the 8 existing screws from under the shelf unit with the Torx screwdriver supplied. Remove the existing shelf.
2. Place the new shelf complete with the METE Mobile Power supply into the rear slots first. Hold the front of the shelf/unit up while doing this.
3. Lower the front down into the front slots.
4. Use the 8 new screws for all the brackets. Tighten all the screws. Do not overtighten.
5. Insert the power cable into the Neat Board. The other power outlets can be used for ancillary equipment like an inkjet printer or charging mobile phones.



**METE Mobile Power Limited**

37/7 Tunnel Grove, Lower Hutt 5010, New Zealand | [www.mete.nz](http://www.mete.nz) | [info@mete.nz](mailto:info@mete.nz) | +64 9 217 6148